

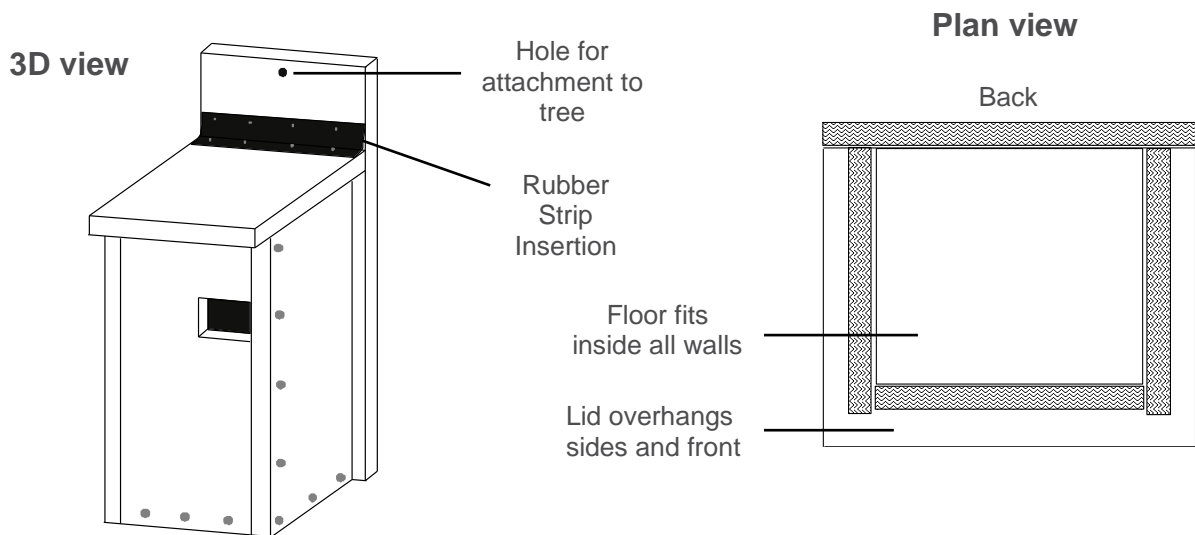
Nestbox 3 Design

Suitable for: Rosellas - Crimson, Yellow, Adelaide, Green, Western, Eastern, Pale-headed *Platycercus spp.* Common Ringtail Possum *Pseudocheirus peregrinus* Sugar Glider *Petaurus breviceps* Tuan/Brush-tailed Phascogale *Phascogale tapoatafa*

Notes Because of its size, this nestbox is best constructed from weatherproof plywood. Available in sheets. The floor is positioned **inside** all walls to minimise water entry through joins.

Materials required

- 17 mm Structural Ply Flooring - sheet approx 1200 x 700 mm
- Tape measure and pencil
- Galvanised Countersunk Screws; 8 gauge x 40 mm – approx 40
- Brass screws – 6 gauge x 16 mm – approx 20
- Strip Insertion – 50 mm x 250 mm
- Galvanized Metal Strap 150 mm x 20-25 mm
- Electric or Cordless drill with 4.36 mm and 2.78 mm Drill Bits and Phillips head and Slot head Drivers

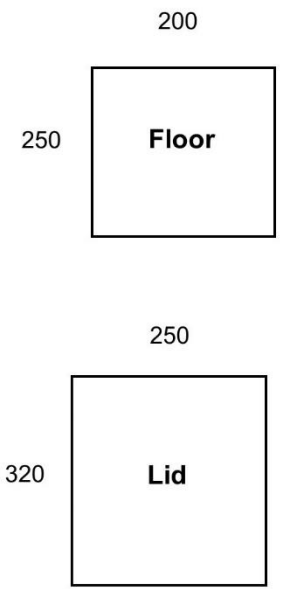
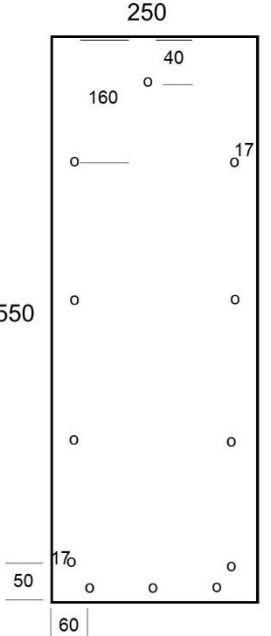
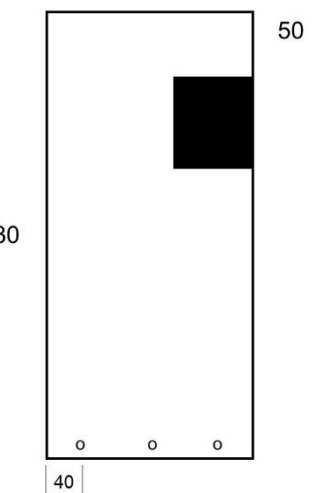
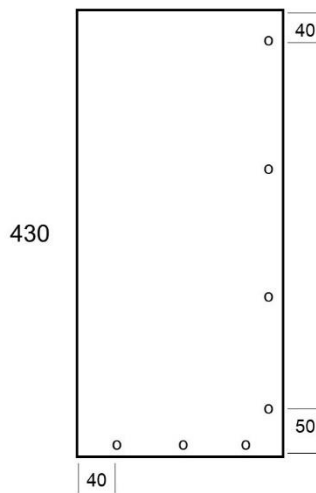
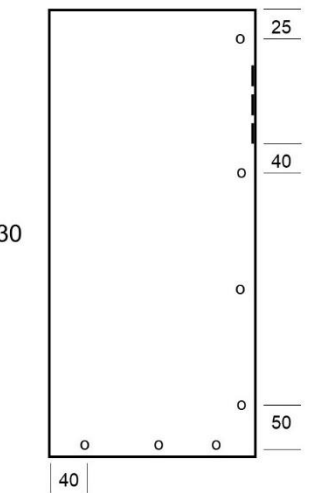


Instructions

1. Cut ply to specified dimensions as shown on templates.
2. Drill holes through back, front and sides using 4.36 mm drill bit as shown on templates. Note that all holes are recessed 10 mm from edges except where specified. (You may like to mark positions with a pencil first)
3. Use long (40 mm) screws to assemble the box. It is suggested that the floor is first attached to back, then sides and front added. Place one screw in each side until you are sure the box is square. Note that the floor goes **inside** all walls.
4. Overlap Strip Insertion on back edge of lid by 20mm. Pre-drill **short** holes using the 2.78 mm drill bit through the strip insertion and a short distance into the lid.
5. Attach Strip Insertion to back edge of lid using 4 short brass screws. Take care not to drill screw heads through Strip Insertion.
6. Use brass screws to attach strap/lid to back so that lid fits closely on top of box.
7. Use short screws to attach the galvanized metal strap to the back of the box so that half its length protrudes below the box.
8. Drill a hole in the centre of the metal plate and the backboard for attachment to tree.

Nestbox 3 Template

Suitable for Rosellas: Crimson, Yellow, Adelaide, Green, Western, Eastern, Pale-headed, *Platycerus* species, Common Ringtail Possum *Pseudocheirus peregrinus*, Sugar Glider *Petaurus breviceps*, Tuan/Brush-tailed Phascogale *Phascogale tapoatafa*

Floor/Lid	Back	Front	Side A	Side B
 <p style="text-align: center;">200 Floor</p> <p style="text-align: center;">250 Lid</p>	 <p style="text-align: center;">250</p> <p style="text-align: center;">40</p> <p style="text-align: center;">160</p> <p style="text-align: center;">17</p> <p style="text-align: center;">550</p> <p style="text-align: center;">17</p> <p style="text-align: center;">50</p> <p style="text-align: center;">60</p>	 <p style="text-align: center;">200</p> <p style="text-align: center;">50</p> <p style="text-align: center;">430</p> <p style="text-align: center;">40</p>	 <p style="text-align: center;">270</p> <p style="text-align: center;">40</p> <p style="text-align: center;">430</p> <p style="text-align: center;">40</p> <p style="text-align: center;">50</p>	 <p style="text-align: center;">270</p> <p style="text-align: center;">25</p> <p style="text-align: center;">40</p> <p style="text-align: center;">430</p> <p style="text-align: center;">50</p>
<p>Floor is fixed inside all walls. Back is the shorter dimension.</p>	<p>Unless specified, all holes are 10 mm from edge.</p>	<p>Cut out hole at 50 mm from top. Ringtail/Rosellas—70 x 70 Glider/Tuan 35 x 35 Unless specified, all holes are 10 mm from edge.</p>	<p>Unless specified, all holes are 10 mm from edge.</p>	<p>Unless specified, all holes are 10 mm from edge.</p>