

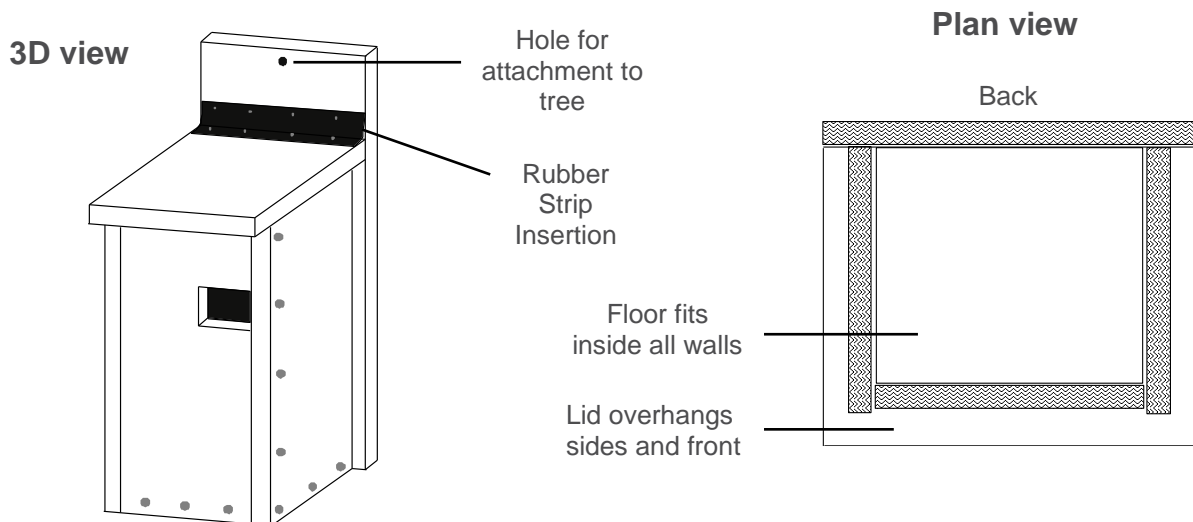
## Nestbox 2 Design

**Suitable for Red-Rumped Parrot, White-Throated Treecreeper** *Cormobates leucophaeus*,  
**Brown Treecreeper** *Climacteris piumnus*, **Owlet Nightjar** *Aegotheles cristatus*

**Notes** Because of its size, this nestbox is best constructed from weatherproof plywood. Available in sheets. The floor is positioned **inside** all walls to minimise water entry through joins. Entry hole can be cut by drilling along the line and hitting with a chisel/hammer.

### Materials required

- 17 mm Structural Ply Flooring - sheet approx 1200 x 700 mm
- Tape measure and pencil
- Galvanised Countersunk Screws; 8 gauge x 40 mm – approx 40
- Brass screws – 6 gauge x 16 mm – approx 20
- Strip Insertion – 50 mm x 250 mm
- Galvanized Metal Strap 150 mm x 20-25 mm
- Electric or Cordless drill with 4.36 mm and 2.78 mm Drill Bits and Phillips head and Slot head Drivers

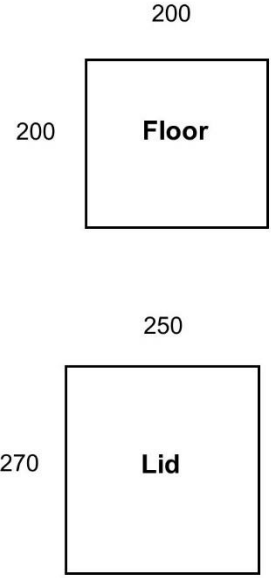
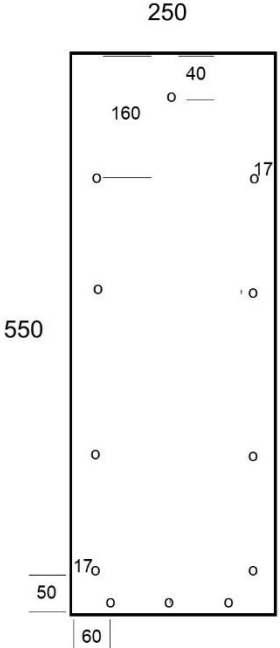
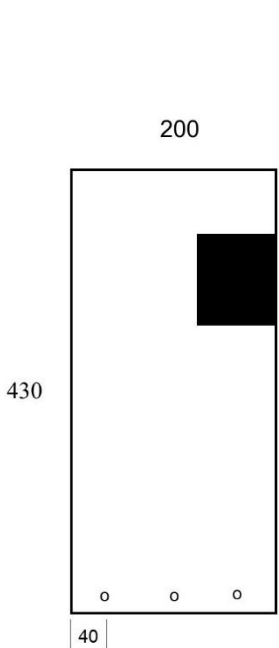
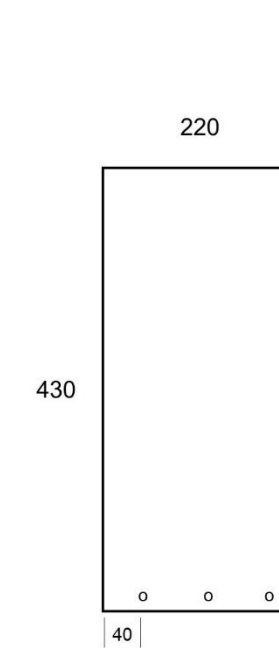
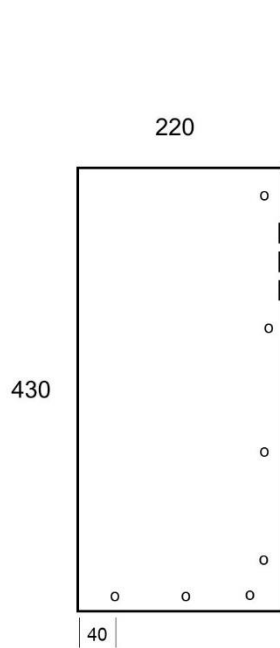


### Instructions

1. Cut ply to specified dimensions as shown on templates.
2. Drill holes through back, front and sides using 4.36 mm drill bit as shown on templates. Note that all holes are recessed 10 mm from edges except where specified. (You may like to mark positions with a pencil first)
3. Use long (40 mm) screws to assemble the box. It is suggested that the floor is first attached to back, then sides and front added. Place one screw in each side until you are sure the box is square. Note that the floor goes **inside** all walls.
4. Overlap Strip Insertion on back edge of lid by 20mm. Pre-drill **short** holes using the 2.78 mm drill bit through the strip insertion and a short distance into the lid.
5. Attach Strip Insertion to back edge of lid using 4 short brass screws. Take care not to drill screw heads through Strip Insertion.
6. Use brass screws to attach strap/lid to back so that lid fits closely on top of box.
7. Use short screws to attach the galvanized metal strap to the back of the box so that half its length protrudes below the box.
8. Drill a hole in the centre of the metal plate and the backboard for attachment to tree.

## Nestbox 2 Template

**Red-Rumped Parrot, White-Throated Treecreeper** *Cormobates leucophaeus*, **Brown Treecreeper** *Climacteris pumna*, **Owlet Nightjar** *Aegotheles cristatus* Because of its large size, this box is best constructed from weatherproof plywood. You will need a sheet approx 1200 x 1000 mm.

Floor/Lid	Back	Front	Side A	Side B
 <p>The Floor is a square with side length 200. The Lid is a square with side length 250. The back edge of the lid is 270 long.</p>	 <p>Dimensions: 250 (width), 550 (height). Holes are located at 40, 160, and 170 from the top edge, and 17, 50, and 60 from the bottom edge.</p>	 <p>Dimensions: 200 (width), 430 (height). A 50x55 hole is cut out 50 mm from the top edge. Holes are located at 40, 50, and 60 from the bottom edge.</p>	 <p>Dimensions: 220 (width), 430 (height). Holes are located at 40, 40, and 50 from the bottom edge.</p>	 <p>Dimensions: 220 (width), 430 (height). Holes are located at 25, 40, and 50 from the bottom edge.</p>
<p>Floor is fixed <b>inside</b> all walls. Back of the lid is the shorter dimension.</p>	<p>Unless specified, all holes are 10 mm from edge.</p>	<p>Cut out hole at 50 mm from top. Parrot — 55 x 55 Treecreeper/Nightjar — 45 x 45 Unless specified, all holes are 10 mm from edge.</p>	<p>Unless specified, all holes are 10 mm from edge.</p>	<p>Unless specified, all holes are 10 mm from edge.</p>