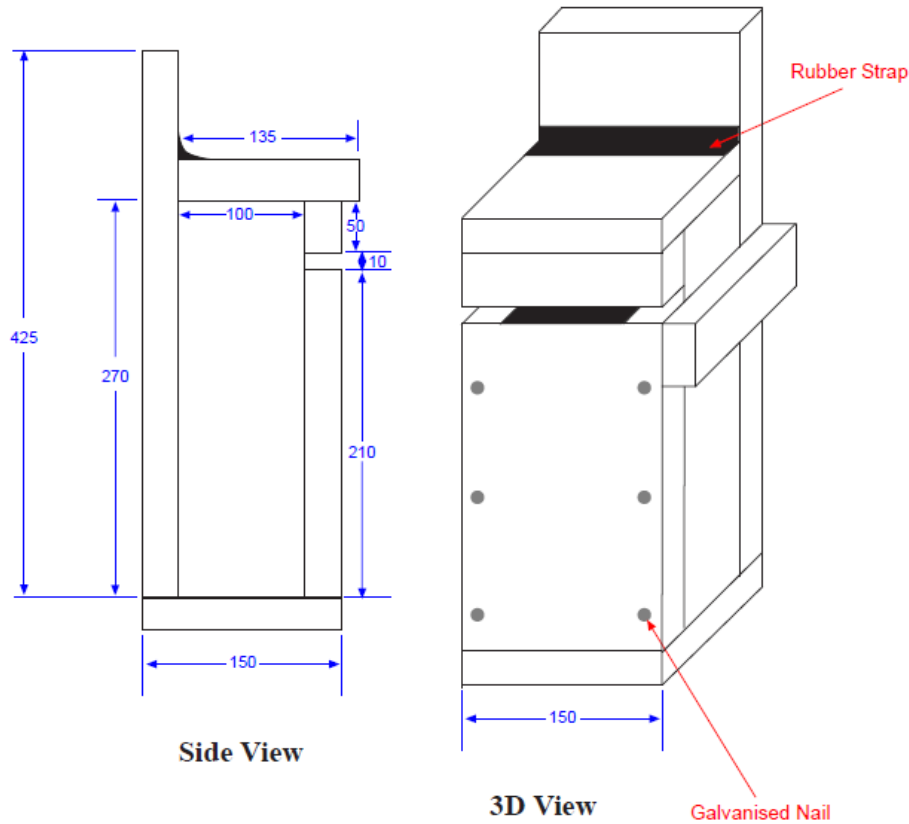


Feathertail Glider Nestbox



Materials required per Nestbox

- Rough sawn seasoned Hardwood cut as below

Dimensions	Approx Length	Cut into pieces
25 x 150mm	950mm	425mm (back), 210mm (front), 150mm (base), 135mm (top)
25 x 100mm	550mm	2 pieces each 270mm (sides)
25 x 50mm	300mm	2 pieces each 150mm (front and side)

- Galvanised countersunk screws; 8 gauge x 25mm – approx 10
- Galvanised countersunk screws; 8 gauge x 50 mm – approx 25
- Galvanised metal strap 150mm x 20-25mm
- Rubber strap “3mm Strip Insertion” 75 x 150mm
- Electric or cordless drill with 4.36mm drill bit and Phillips head driver

Instructions

- Cut timber to lengths specified above.
- Pre drill holes in base, front pieces, back and sides.
- Use long screws to assemble box as shown in diagram above.
- Attach rubber strap to a 150mm edge of top using 3 or 4 short screws.
- Use short screws to attach rubber strap/top to back so that lid fits closely on top of box.
- Use short screws to attach the galvanised metal strap to the back of the box so that half its length protrudes below the box.
- Drill a hole in the centre of the metal plate and the backboard for attachment to tree.

Building a set of 20 Feathertail Glider Nestboxes

Materials required per Nestbox

- Rough-sawn seasoned Hardwood (25 mm thick)

Dimensions	Approx Length	Cut into pieces
25 x 150mm	950mm	425mm (back), 210mm (front), 150mm (base), 135mm (top)
25 x 100mm	550mm	2 pieces each 270mm (sides)
25 x 50mm	300mm	2 pieces each 150mm (front and side)

- Galvanised countersunk screws; 8 gauge x 25mm – approx 10
- Galvanised countersunk screws; 8 gauge x 50 mm – approx 25
- Galvanised metal strap 150mm x 20-25mm
- Rubber strap – “3mm Strip Insertion” 75 x 150mm
- Electric or cordless drill with 4.36mm drill bit and Phillips head driver

To build 20 FTG nestboxes you will need to order

Rough sawn seasoned hardwood (25mm thick) is recommended. Cut as below.

Dimensions (mm)	Length	Number of lengths	Approx cost*
25 x 150 (\$3.75/m)	3.6 metres	7	\$94.50
25 x 100 ##	3.6 metres	3	\$40.50
	1.5 metres	1	\$5.60
25 x 50 ##	3.6 metres	3	offcut from above
	1.5 metres	1	offcut from above
TOTAL COST			\$141

*cost as at March 2017

##These dimensions need to be cut from lengths of 25 x 150.

- Galvanised countersunk screws; 8 gauge x 25mm – 2 pkts of 100 each
 - Cost approx \$6 per packet = \$12
- Galvanised countersunk screws; 8 gauge x 50mm – 1 box of 500 screws
 - Cost approx \$23
- Galvanised metal strap 25mm x 0.6mm x 6m – approx. \$6
- Rubber strap – “3mm Strip Insertion” 150mm wide - approx 2 metre
 - Cost approx \$26 available from Clark Rubber
- 6 – 8 electric or cordless drills with 4.5 - 5mm drill bits and Phillips head drivers.

Construct as shown for the single box.

TOTAL COST: approx \$210.00